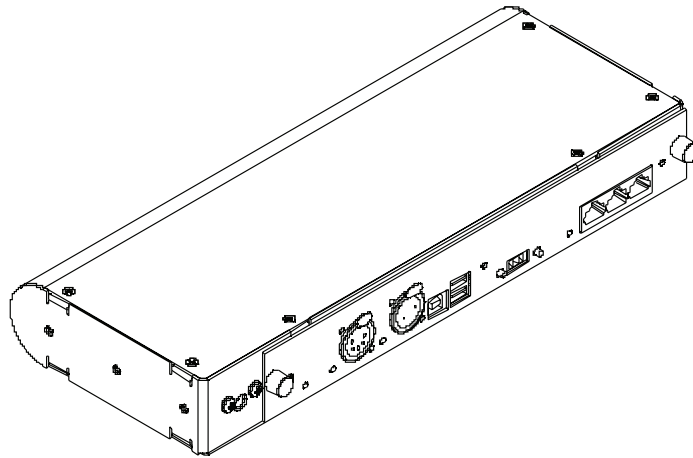


Marquee® PC DMX Interface



Overview

The Marquee® PC DMX Interface from Entertainment Technology is a multi-purpose USB device that can be used as a back-up device for any Marquee Lighting Control Console, or convert any Windows® XP personal computer running Marquee PC software.

Manual controls can be easily added with Marquee hardware accessories, or hardware can be upgraded as requirements change. The Marquee PC DMX Interface is compatible with the Marquee Slider Wing Panel, Marquee Button Wing Panel, Marquee Lighting Control Console Processor, and Marquee Remote Focus Units.

Marquee PC software utilizes the power of Microsoft® Windows® XP to produce the most powerful PC lighting control system available. Marquee PC software is scalable and upgradeable, effectively preventing obsolescence. Control channel upgrades and the latest versions of the software are always available via the Horizon® Control, Inc. website at: www.horizoncontrol.com

Applications

- Schools
- Houses of Worship
- Local and Regional Theatres
- Universities
- TV Studios
- Special Events / Trade Shows
- Touring Shows
- Hotels / Hospitality

Features

- Easily connects to Windows® XP personal computer running Marquee PC software via USB
- Compatible with any Marquee Lighting Control Console embedded XP processor
- 1024 DMX512 output data
- Compact and lightweight
- Upgradeable Control Channels & Hardware
- Includes rack mount brackets
- Support for four optional Slider Wing Panels & one optional Button Array Wing Panel

Ordering Info

MQ-128-INF	Marquee 128 PC DMX Interface at 128 control channels
MQ-512-INF	Marquee ILC PC DMX Interface at 512 control channels
MQ-1024-INF	Marquee ILC PC DMX Interface at 1024 control channels

Optional Accessories*

MQ-SWP	24 Slider Wing Panel
MQ-BWP	Button Array Wing Panel
MQ-RFUW	Remote Focus Unit - wired
MQ-RFU	Remote Focus Unit - wireless
IPS-DX-{xx}	DMX512 Cable with 5-pin XLR connectors xx = length in feet

* Items sold separately.

Marquee® PC DMX Interface

Specifications

General

- Standard USB device
- 1,024 DMX512 Output via 2 standard XLR-5 connections

Interfaces

- DMX512 Outputs (2)
- Remote Trigger Inputs (2)
- Auxiliary USB Connections (2)
- Marquee Expansion Ports (3)

Software

- Marquee PC Software powered by Horizon Control, Inc.

Dimensions (without Rack Mount Brackets)

- 12.5" x 5.7" x 2" (31.75 cm x 14.48 cm x 5.08 cm)

Dimensions (with Rack Mount Brackets)

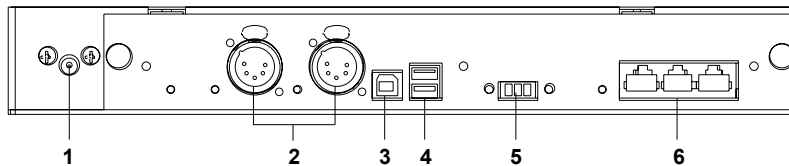
- 1u: 19" x 5.7" x 1.75" (31.75 cm x 14.48 cm x 4.45 cm)
- 2u: 19" x 5.7" x 3.5" (31.75 cm x 14.48 cm x 8.89 cm)

Power Requirements

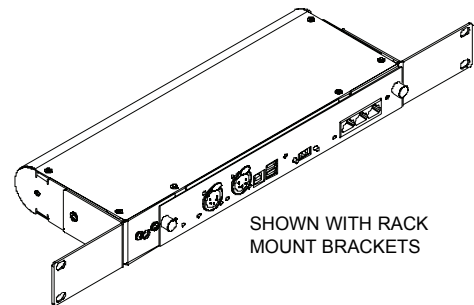
- 100-240VAC, 50/60 Hz, 60W

Note: Install rack mount bracket in reverse for connections inside rack.

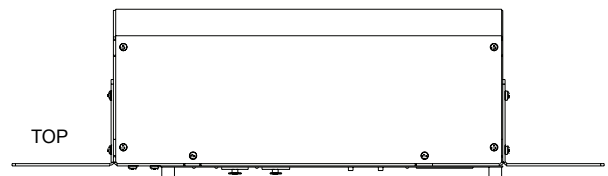
FRONT PANEL



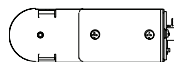
- 1 Power Input
- 2 DMX512 Outputs (2)
- 3 USB Port (to PC)
- 4 Auxiliary USB Ports (2)
- 5 Remote Trigger Inputs and Test Buttons (2)
- 6 Marquee Expansion Ports (3)



SHOWN WITH RACK MOUNT BRACKETS



TOP



SIDE



FRONT

This product may be covered by one or more of the following U.S. Patents: #4,413,211; 4,430,576; 4,465,956; 4,733,138; 4,792,731; 4,880,950; 4,988,840; 4,992,709; 5,004,969; 5,004,969; 5,128,654; 5,153,816; 5,189,259; 5,194,858; 5,239,255; 5,239,255; 5,371,439; 5,371,444; 5,506,480; 5,636,111; 5,642,104; 5,646,490; 5,814,550; 5,821,704; 5,920,156; 5,930,126; Des. #307,578; 333,124; 435,203; 440,207; License #4482844; 5,004,969; 5,239,255; and corresponding foreign patents. Other Utility, Design and Foreign Patents Pending. We reserve the right to change details of design, materials and finish in any way that will not alter the installed appearance or reduce function performance. Specifications are subject to change without notice.



Entertainment Technology

a Genlyte company

10911 Petal Street • Dallas, Texas 75238

For technical/sales assistance, call: **1-800-223-9477**

Made in USA © 2005 Genlyte Group LLC

www.etdimming.com P/N: 87-0486