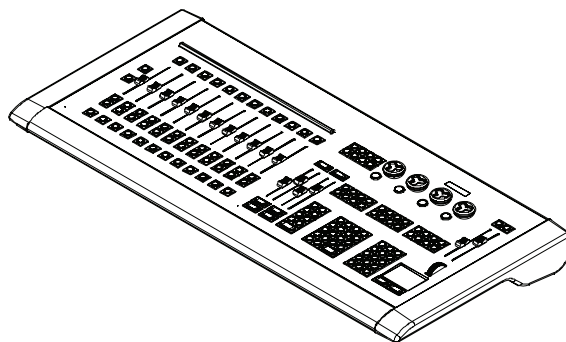


Marquee® ILC Lighting Control Console



Overview

The Marquee® ILC Intelligent Lighting Control Console from Entertainment Technology is a true last-action tracking console that incorporates extensive manual control for complex programming. Designed with complicated show programming in mind, the Marquee ILC has all the simplicity and conveniences of the standard Marquee console along with a higher level of sophistication. The attribute palettes, encoders, and effects editor ease the operation of shows as it delivers integrated control for large quantities of automated and conventional fixtures.

Like the standard Marquee console, the ILC utilizes an embedded Microsoft® Windows® XP processor, which ensures that the console will not become obsolete. Advanced software replaces the hidden command structure of traditional DOS-based tracking consoles with a fast and familiar Graphic User Interface (GUI), much like a personal computer, complete with Internet Explorer and Media Player.

Designed with emerging industry standards in mind, the Marquee ILC console is ACN ready, and uses Ethernet and USB connections to extend its control, support, and output. Rear expansion and USB ports provide seamless integration with any combination of additional slider wing panels or other accessories. As lighting control needs change, so can the console. New points of control can be added through simple, inexpensive hardware upgrades, and if you need more channels or the latest version of the Marquee ILC operating software, you can download with just a click of a button.

Applications

- Broadway / Professional Theatres
- Touring Shows
- TV Studios
- Special Events / Trade Shows
- Houses of Worship
- Hotel Ballrooms
- Casinos

Features

- 512 Memory Control Channels (expandable)
- 1024 DMX512 Output (upgradeable to 32,768)
- True Last-Action Tracking Operation
- Support for multiple independent cue lists with no cue limit
- Integrated Moving Light Patch Feature
- Complete Abstract Fixture Libraries
- Support for two SVGA-compatible displays
- Support for touchscreen video display unit
- 14 pageable, configurable playback faders
- Support for four optional Slider Wing Panels & one optional Button Array Wing Panel
- WYSIWYG support
- Windows® XP Embedded Processor
- Installed Media Player, Browser, E-mail, and PDF Reader
- Active On-Line Technical Support
- Free Off-Line Editor Available
- Upgradeable Control and Hardware

Ordering Info

MQ-ILC	Marquee ILC Lighting Control Console
MQ-ILC-PKG	Marquee ILC Lighting Control Console with 1024 Control Channels, 1 Slider Wing Panel, 1 Button Wing Panel, and 2 LittLite® Worklights

Optional Accessories*

MQ-SWP	24 Slider Wing Panel
MQ-BWP	Button Array Wing Panel
MQ-MUG	MIDI/SMPTE Interface Option Card
MQ-SUG	LYTEmode® Architectural Interface Option Card
MQ-RFUW	Remote Focus Unit - wired
MQ-RFU	Remote Focus Unit - wireless
MQ-LL	2 LittLite® Worklights
LCD-17	17" Flat Panel LCD Video Display
MQ-CRC	Marquee Console Roadcase

* items sold separately

Entertainment Technology

a Genlyte company

10911 Petal Street • Dallas, Texas 75238
1-800-223-9477 • www.etdimming.com

Marquee® ILC Lighting Control Console

Specifications

General

- 512 channel memory operation (expandable)
- 1,024 DMX512 output
- 32,768 channel Ethernet support
- Unlimited cues
- Unlimited groups
- Unlimited submasters
- Abstract fixture library
- Windows® XP embedded processor
- Installed Media Player, Internet Browser, E-mail, and PDF Reader
- Supports Pathport and proposed ACN and RDM protocols
- Off-line editor
- Free remote video support

Playback Controls

- Slider Wing Panel option
- Two timed/manual fader pairs
- 12 auxiliary, pageable and configurable playback faders
- True Last Action Tracking operation
- Unlimited cue lists with unlimited simultaneous fades
- Integrated track pad
- Level wheel and 4 attribute encoders
- Two configurable grand master and blackout buttons
- Touchscreen video display support

Display Functions (Requires SVGA Monitor)

- Live Editing
- Blind Editing
- Channel Status for simultaneous cue fades
- Patch (Channel / Moving Light)
- Setup
- Fader / Submaster / Save / Hardware Status
- Virtual Submasters
- Moving light attribute grid
- Grand Master levels
- Printed reports in PDF format

Software

- Dedicated Microsoft® Windows XP embedded software
- Marquee software powered by Horizon® Control, Inc.

Control Features

- Split up/down fade times
- Split up/down wait times
- Follow time
- Part cues
- Cue loops
- Fixture check
- Fixture labels
- Preset focuses
- Preset or tracking style operation
- 32-bit fades
- Fade times from 1/100 second to 20 days
- Pre-programmed effects
- Moving light patch
- Astronomical time clock and time events
- Full show control Macros with 12 Macro buttons

Interface

- DMX512 outputs (2)
- Ethernet connection
- Remote trigger inputs (2)
- CD-ROM drive
- Dual VGA output
- Gooseneck worklight connection (2)
- Auxiliary USB connections (5)
- Marquee expansion ports (3)

Power Requirements

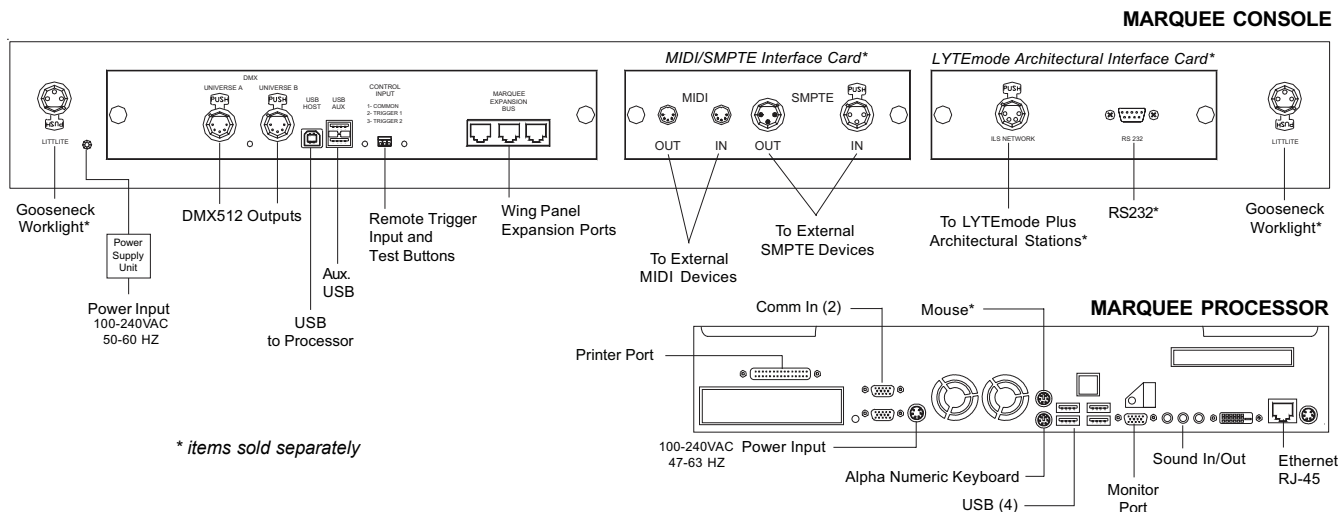
- Processor 100-240 Volts AC, 47-63 Hz, 1.6 Amp [Max]
- Console 100-240 Volts AC, 50-60 Hz, 1.8 Amp [Max]

Console Physical

- Weight: 32 lbs. (14.5 Kg)
- Dimensions: 37.5" W x 17.5" D x 3.25" H
95.25 cm W x 44.45 cm D x 8.25 cm H

Processor Physical

- Weight: 7.4 lbs. (3.4 Kg)
- Dimensions: 18.25" W x 9.0" D x 2.5" H
46.36 cm W x 22.86 cm D x 6.35 cm H



This product may be covered by one or more of the following U.S. Patents: #4,413,211; 4,430,576; 4,465,956; 4,733,138; 4,792,731; 4,880,950; 4,988,840; 4,992,709; 5,004,969; 5,004,969; 5,128,654; 5,153,816; 5,189,259; 5,194,858; 5,239,255; 5,239,255; 5,371,439; 5,371,444; 5,506,480; 5,636,111; 5,642,104; 5,646,490; 5,814,550; 5,821,704; 5,920,156; 5,930,126; Des. #307,578; 333,124; 435,203; 440,207; License #4482844; 5,004,969; 5,239,255; and corresponding foreign patents. Other Utility, Design and Foreign Patents Pending. We reserve the right to change details of design, materials and finish in any way that will not alter the installed appearance or reduce function performance. Specifications are subject to change without notice.



Entertainment Technology

a Genlyte company
10911 Petal Street • Dallas, Texas 75238



For technical/sales assistance, call: 1-800-223-9477

Made in USA © 2005 Genlyte Group LLC

www.etdimming.com P/N: 87-0485A