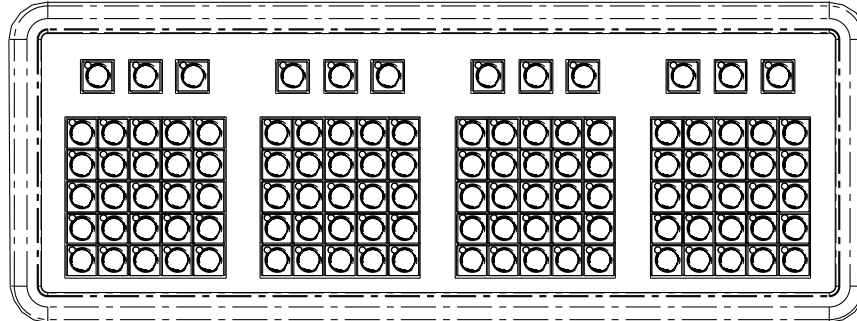


Marquee® Button Array Wing Panel



Overview

The Marquee® Button Array Wing Panel provides additional automated fixture control for Marquee, Marquee ILC, and Marquee PC Lighting Control Consoles. The button panel can be used to select a fixture or range of fixtures, and can be used as preset palettes for automated lighting control. Using the Hardware Set-Up feature within Marquee software, each of the four banks of 25 buttons, on the wing panel, may be assigned to an unlimited number of moving light attributes such as color, position, gobo, looks, and so on.

Marquee wing panels may be added to any Marquee lighting control system by simply plugging it into the expansion port. Marquee software will support one expansion Button Array Wing Panel.

The Button Array Wing Panel may be used as a tabletop panel, adjacent to the console, or can be attached directly to any Marquee or Marquee ILC console. Each Button Array Wing Panel includes two console mounting brackets, dust cover, and one RJ-45 expansion cable.

Applications

- Universities
- Schools
- Local and Regional Theatres
- Houses of Worship
- TV Studios
- Special Events / Trade Shows
- Touring Shows
- Hotels / Hospitality

Features

- Easily connects to any Marquee, Marquee ILC, or Marquee PC Lighting Control Console
- Utilizes standard RJ-45 Ethernet CAT5/6 cable as expansion control cable
- Additional manual control for Marquee lighting control systems
- Unlimited number of lookmaster page assignments
- Unlimited pages of 4 banks of 25 assignable palette or group preset buttons
- Manual fixture selection for up to 1200 fixtures

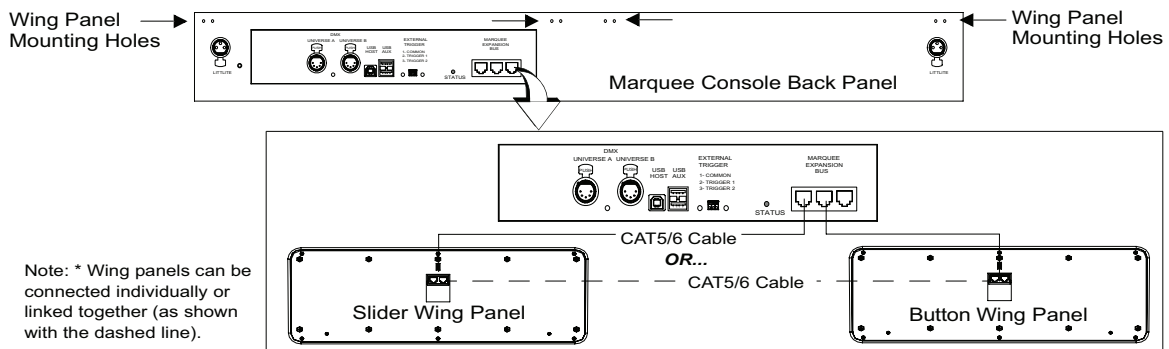
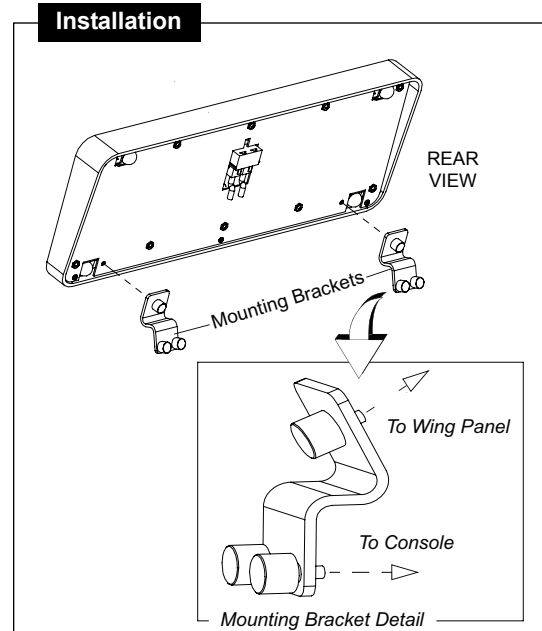
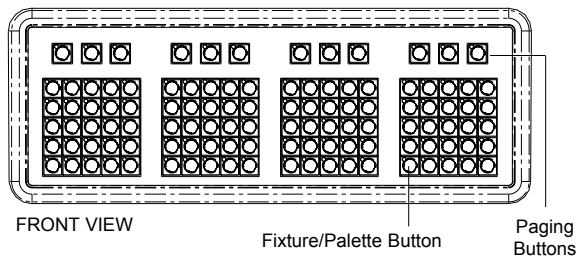
Ordering Info

MQ-BWP Button Array Wing Panel

Marquee® Button Array Wing Panel

Specifications

Paging Buttons	12
Fixture/Palette Buttons:	100
Interface Type:	I ² C Serial (proprietary)
Connection:	RJ-45 Ethernet CAT5/6 Cable (300 ft. Max.)
Software Compatibility:	Standard Marquee® software
Dimensions:	16.5" (W) x 6.0" (H) x 1.5" (D) 41.9 cm (W) x 15.2 cm (H) x 3.81 cm (D)
Weight:	4.5 lbs. (2 kg)



This product may be covered by one or more of the following U.S. Patents: #4,413,211; 4,430,576; 4,465,956; 4,733,138; 4,792,731; 4,880,950; 4,988,840; 4,992,709; 5,004,969; 5,004,969; 5,128,654; 5,153,816; 5,189,259; 5,194,858; 5,239,255; 5,239,255; 5,371,439; 5,371,444; 5,506,480; 5,636,111; 5,642,104; 5,646,490; 5,814,550; 5,821,704; 5,920,156; 5,930,126; Des. #307,578; 333,124; 435,203; 440,207; License #4482844; 5,004,969; 5,239,255; and corresponding foreign patents. Other Utility, Design and Foreign Patents Pending. We reserve the right to change details of design, materials and finish in any way that will not alter the installed appearance or reduce function performance. Specifications are subject to change without notice.